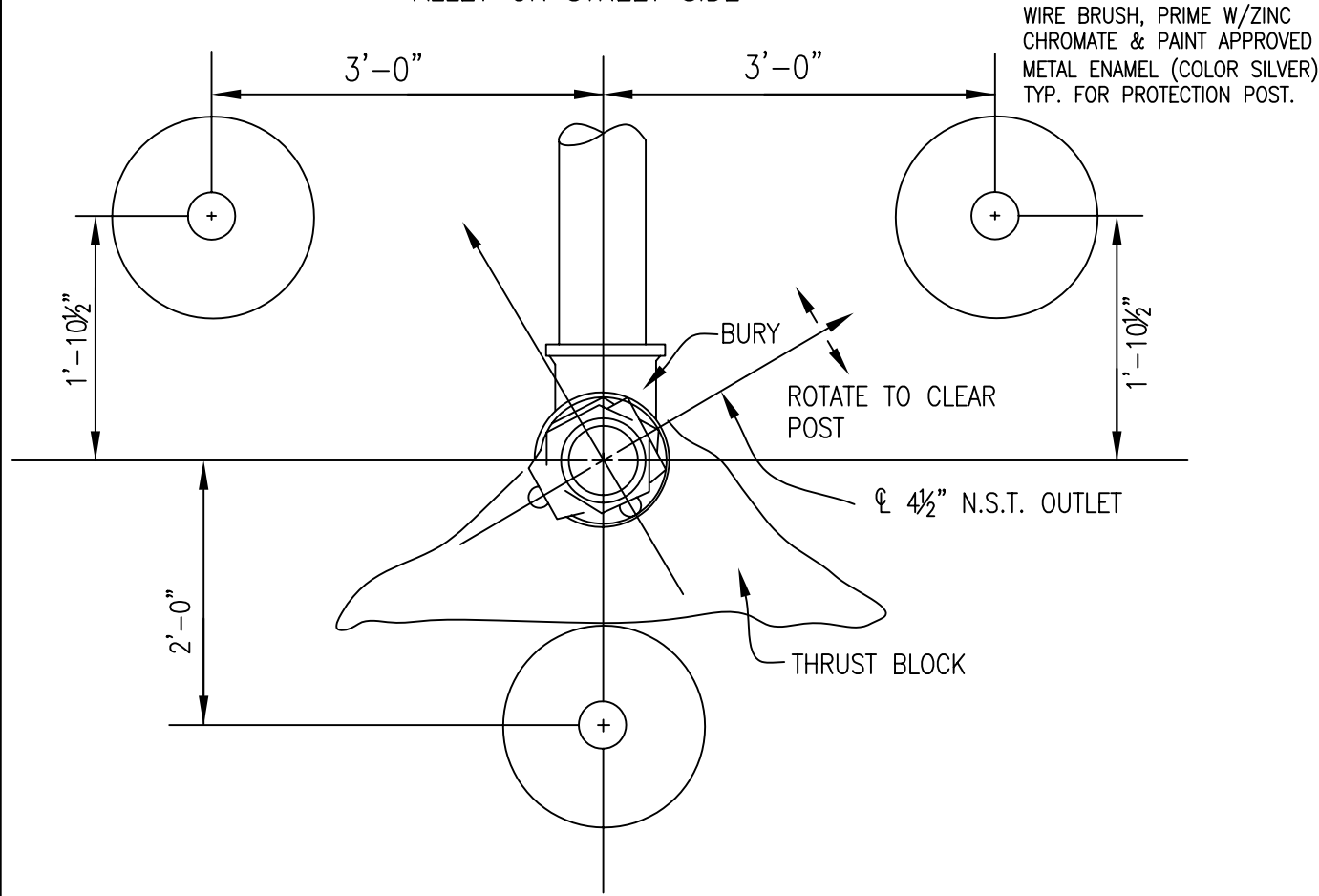


ALLEY OR STREET SIDE



WIRE BRUSH, PRIME W/ZINC CHROMATE & PAINT APPROVED METAL ENAMEL (COLOR SILVER) TYP. FOR PROTECTION POST.

BURY

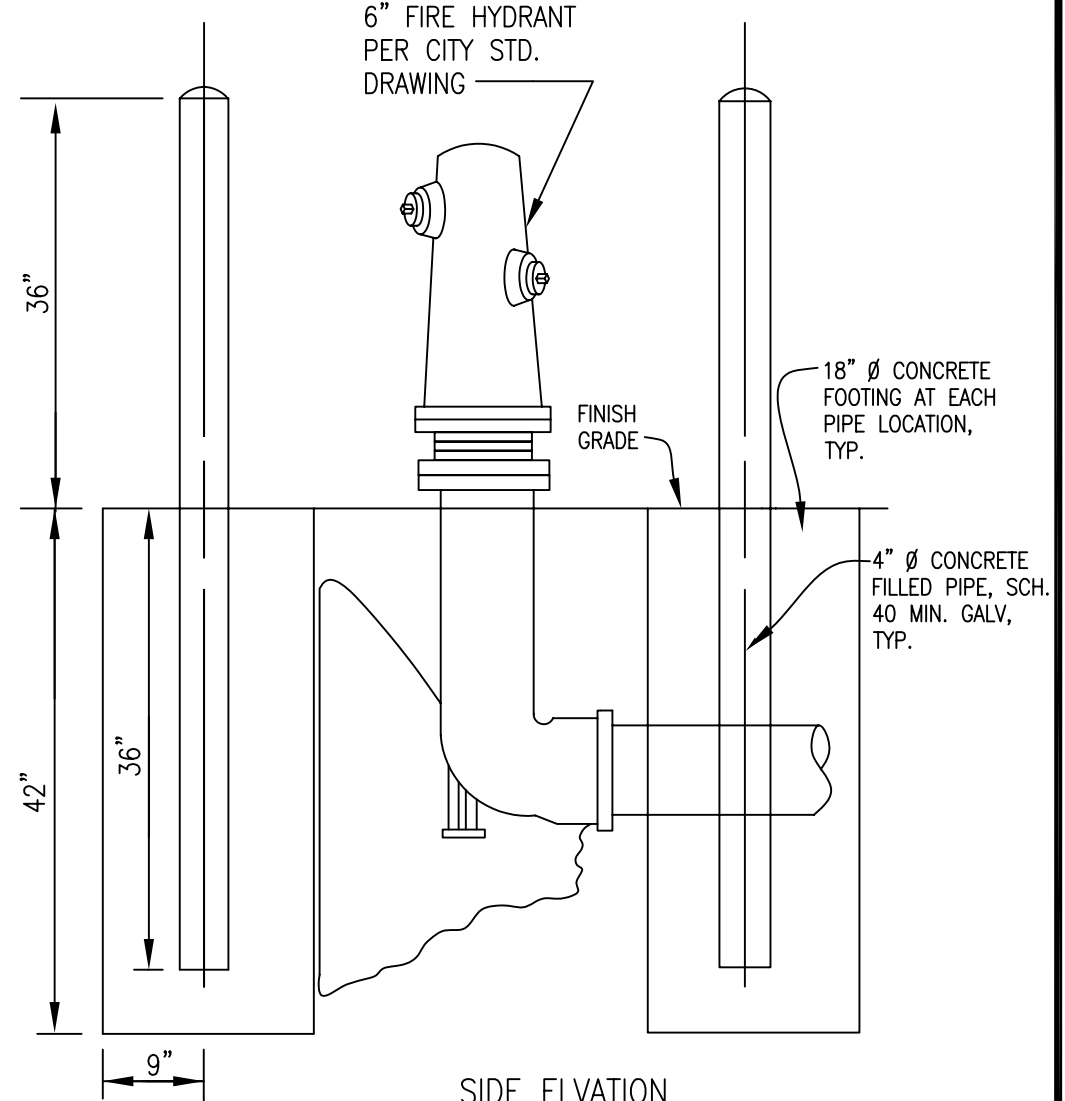
ROTATE TO CLEAR POST

Ø 4 1/2" N.S.T. OUTLET

THRUST BLOCK

PLAN

SCALE 3/4" = 1'-0"



6" FIRE HYDRANT PER CITY STD. DRAWING


FINISH GRADE

18" Ø CONCRETE FOOTING AT EACH PIPE LOCATION, TYP.

4" Ø CONCRETE FILLED PIPE, SCH. 40 MIN. GALV, TYP.

SIDE ELVATION
SCALE 3/4" = 1'-0"

CAUTION :
DO NOT PLACE POST IN FRONT OF OUTLETS. ADJUST LOCATION AS NECESSARY.
SEE STD. DRWG. FOR FIRE HYDRANT INSTALLATION.

RICHARD G. SWEET R.C.E. 44,213 EXP. 6/30/07		11/22/04				City of Santa Maria Standard Drawing	
REVISIONS		DATE	DATE				
		BY	APP	DATE	FIRE HYDRANT PROTECTION ASSEMBLY		WA-20
DRAWN BY: L.R.U.		DATE DRAWN: 6/74		SCALE: AS SHOWN		SHEET 1 OF 1	