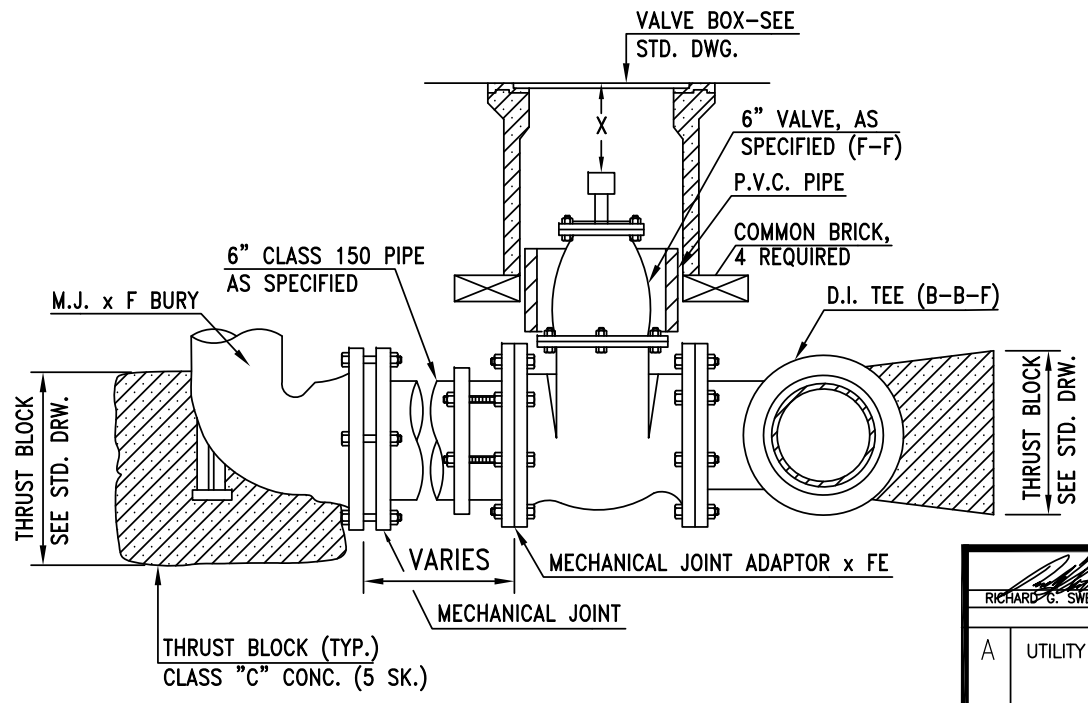
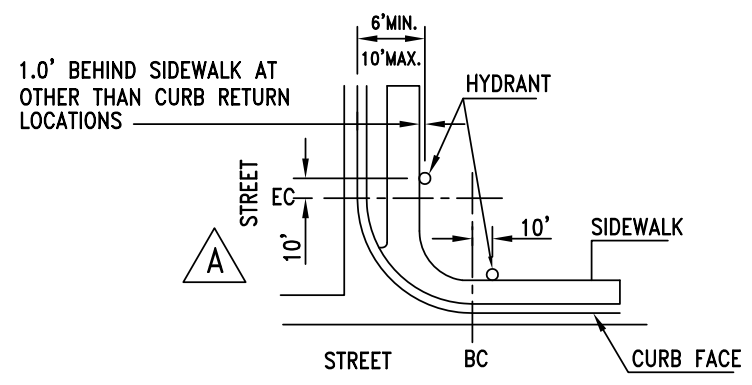


6 BOLT PATTERN IN BURY
SCALE:-N.T.S.


- NOTES:**
1. THREADS ON THE 4 1/2" & 2 1/2" OUTLETS SHALL BE LUBRICATED W/ "NEVER SEEZ" ANTISEIZE & LUBRICATING COMPOUND AS MANUFACTURED BY NEVER SEEZ COMPOUND CORP. OR APPROVED EQUAL.
 2. SEE STANDARD DRAWING FOR FIRE HYDRANT PROTECTION ASSEMBLY.
 3. WHEN DIMENSION "X" EXCEEDS 48", SEE STANDARD DRAWING FOR VALVE STEM EXTENSION.
 4. BC & EC LOCATIONS ARE RESERVED FOR STREET SIGNS.
 5. INTEGRAL MECHANICAL JOINTS ON FITTINGS ARE ACCEPTABLE.



TYPICAL HYDRANT SKEW
NO SCALE



TYPICAL HYDRANT LOCATION AT CORNER B.C./E.C.
NO SCALE

RICHARD G. SWEET R.C.E. 44,213 EXP. 6/30/07		DATE 11/22/04			City of Santa Maria Standard Drawing	
REVISIONS		BY	APP		DATE	DESCRIPTION:
A	UTILITY DEPARTMENT REVISIONS	CJP		6/23/08	6" FIRE HYDRANT INSTALLATION	
DRAWN BY: GEF		DATE DRAWN: 11/87		SCALE: NONE		STANDARD NUMBER WA-19A
						SHEET 1 OF 1