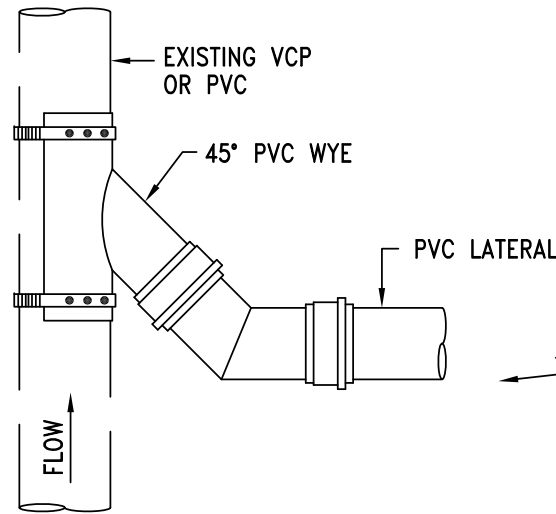
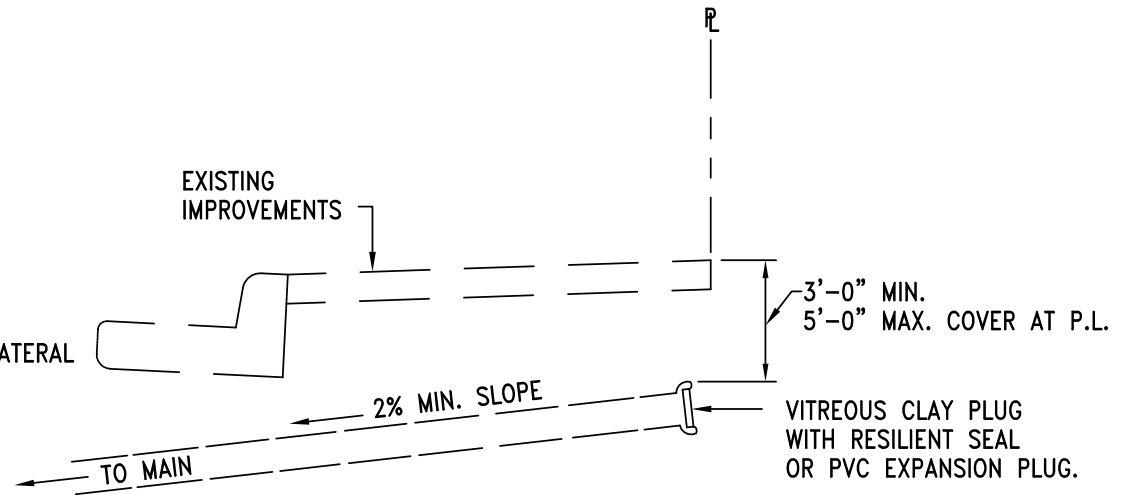


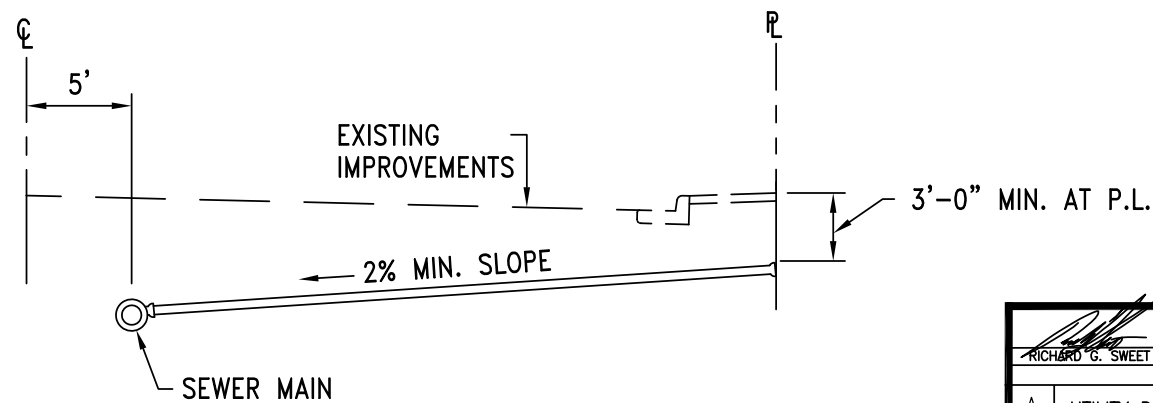
NEW WYE AND LATERAL
NOT TO SCALE



NEW SADDLE ON EXISTING VCP OR PVC SEWER
NOT TO SCALE



TERMINATION OF A NEW PVC OR EXISTING VCP LATERAL
NOT TO SCALE




TYPICAL LATERAL LOCATION
NOT TO SCALE

GENERAL NOTES:

1. VITREOUS CLAY OR PVC PER CITY OF SANTA MARIA STANDARD SPECIFICATIONS FOR MATERIALS AND INSTALLATION OF SANITARY SEWERS.
2. TRENCH REPAIR PER CITY STANDARD DRAWING.
3. CUT-IN TO AN EXISTING LINE MAY BE MADE ONLY UNDER DIRECT SUPERVISION OF THE CITY ENGINEER.
4. PLUG MAY ALSO CONSIST OF A CAULKED CLAY STOPPER, OR APPROVED MECHANICAL COMPRESSION PLUG.
5. CHECK VALVE ON LATERAL IF HOUSE / BLDG. FINISHED FLOOR IS AT OR LOWER THAN RIM ELEVATION OF NEXT UP STREAM MANHOLE. CHECK VALVE TO BE INSTALLED OUTSIDE OF RIGHT-OF-WAY.



RICHARD G. SWEET R.C.E. 44,213 EXP. 6/30/07		DATE 3/17/05		 City of Santa Maria Standard Drawing	
REVISIONS		BY	APP		
A	UTILITY DEPARTMENT REVISIONS	CJP		6/17/08	DESCRIPTION: SEWER LATERAL INSTALLATION
DRAWN BY: L.U.		DATE DRAWN: 4/73		SCALE: NONE	STANDARD NUMBER SS-14A
				SHEET 1 OF 1	