

PAVED AREAS

SEE ALSO OTHER SURFACE CONDITION DETAILS

PIPE SIZE	W	
	MIN.	MAX.
3"-4"	18"	28"
6"-8"	20"	32"
10"-12"	24"	36"
14"-16"	30"	42"
18"-20"	36"	48"
O.D.	O.D.+18"	O.D.+30"

TRENCH WIDTH TABLE

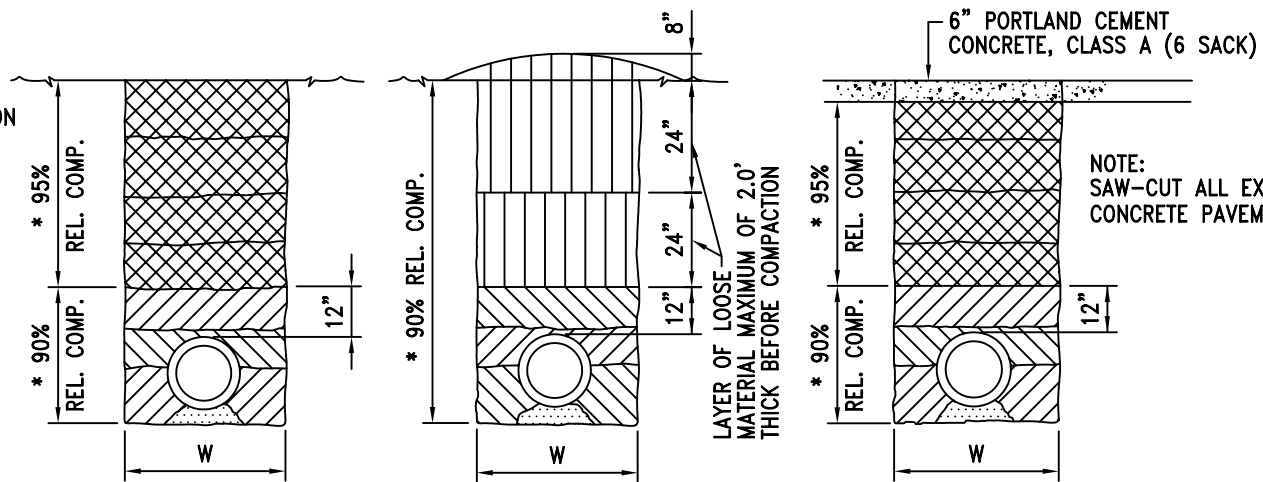
NOTES:

'W' INDICATES WIDTH OF TRENCH UP TO A DEPTH OF 12" ABOVE TOP OF PIPE.

ALL BACKFILL TO BE FOR STREET AREAS UNLESS DESIGNATED FOR RAW LAND ON PLANS.

** MOUND SHOWN FOR WATER PIPE ONLY SEE SPECIFICATIONS FOR PIPE BEDDING REQUIREMENTS FOR SEWER PIPE.

*** CHIP SEAL REPAIR ANY TRENCH IN AREA CHIP SEALED WITHIN PREVIOUS 5 YEAR PERIOD.



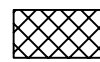
FUTURE STREET SURFACE

AREAS IN RAW LAND
SEE PLAN FOR THIS DISCRIPTION

CONCRETE SURFACE



PIPE BEDDING BACKFILL - MATERIAL SHALL HAVE A SAND EQUIVALENT OF 20 MIN., 100% PASSING 2" SIEVE, 35-100% PASSING NO. 4 SIEVE. MATERIAL SHALL BE HAND PLACED AND COMPACTED TO 90% MIN. RELATIVE DENSITY EQUALLY ON BOTH SIDES OF PIPE TO DEPTH SHOWN.



STRUCTURAL BACKFILL - SHALL BE IN ACCORDANCE WITH STATE STANDARD SPECIFICATIONS, LATEST REVISION. FOR STRUCTURAL BACKFILL, SECTION 19-3, SHALL HAVE A SAND EQUIVALENT OF 20 MIN., AND BE COMPACTED TO 95% MIN. RELATIVE DENSITY. NO PAVEMENT OR ROCKS IN EXCESS OF 3" MAXIMUM DIMENSION SHALL BE USED.



AGGREGATE BASE - CLASS 2 (3/4") STATE STANDARD SPECIFICATIONS.



A.C. PAVEMENT - TYPE "B" (1/2") STATE STANDARD SPECIFICATIONS. (MIN. THICKNESS 2")

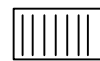


A.C. BASE AND PAVEMENT (THICK LIFT) - TYPE "B" - (1/2") STATE STANDARD SPECIFICATIONS.


THE TRENCH SHALL BE FILLED LEVEL WITH UN-COMPACTED A.C. (5" MIN.) AND ROLLED TO ACHIEVE 95% MIN. RELATIVE COMPACTION. A.C. FINISH COURSE SHALL BE INSTALLED AND ROLLED TO PROVIDE SMOOTH SURFACE LEVEL WITH ADJACENT PAVING. TACK COAT IF TWO COURSES MORE THAN 24 HOURS APART.



RELATIVE DENSITY SHALL BE AS DETERMINED BY STATE STANDARD TEST NO. 216-F OR CALIBRATED NUCLEAR GAUGE.



NATIVE MATERIAL 90% MIN. RELATIVE DENSITY. FLOODING OR JETTING MAY BE USED IF MATERIAL HAS S.E. OF 20 MIN. OTHERWISE MECHANICAL COMPACTION ONLY.

RICHARD C. SWEET R.C.E. 44,213 EXP. 6/30/07		1/20/05				City of Santa Maria Standard Drawing	
REVISIONS		BY	APP				
DRAWN BY: L.R.U.		DATE DRAWN: 7/69		SCALE: NONE		DESCRIPTION: TRENCH REPAIR	
						STANDARD NUMBER RD-33	
						SHEET 1 OF 1	